



Xavier Electronics, Inc

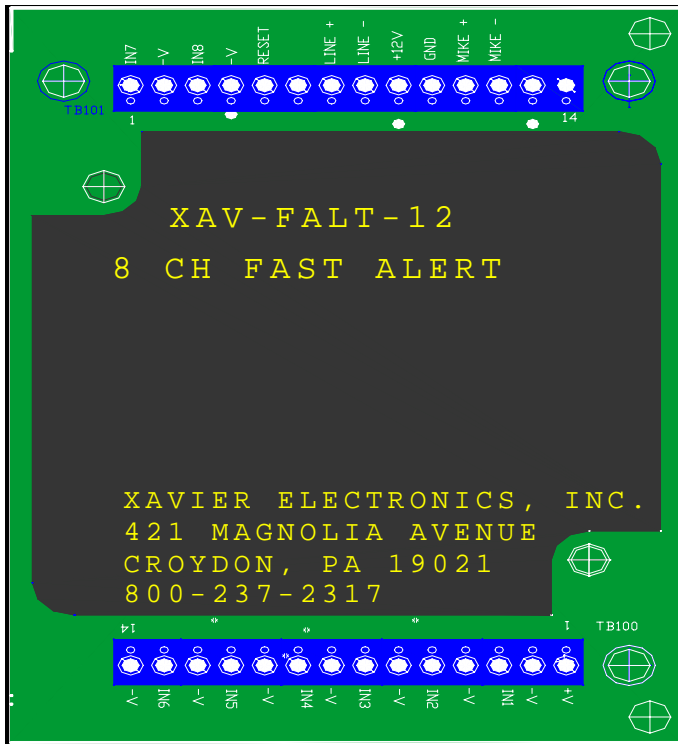
421 Magnolia Avenue

Croydon, Pa 19021

PH# (800)-237-2317 Fax# (215)-788-7896

Email sales@xavierelectronics.com

## VERSATILE MULTI USE FAST ALERT AUDIO ALARM BOARD



**Model FALT-12V**  
**Part # 3050216**

### APPLICATIONS

**RAILROAD CROSSINGS**

**TRAIN APPROACHING WARNINGS, SECURITY ALERTS,  
INSTANT MESSAGING, VEHICLE ACTIVITY WARNINGS**

### FUNCTIONS

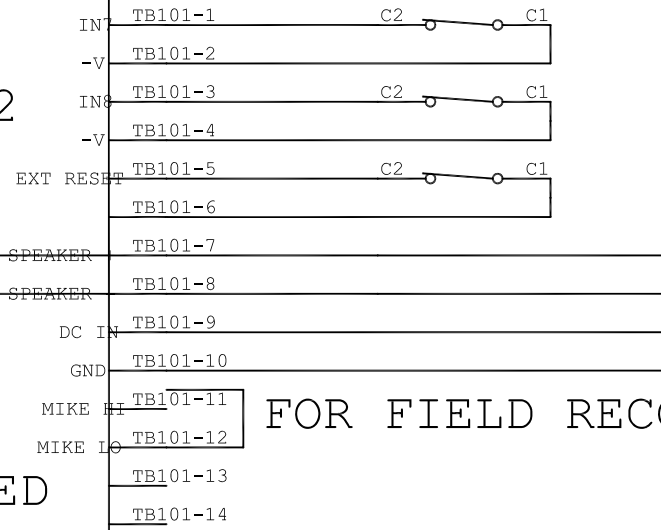
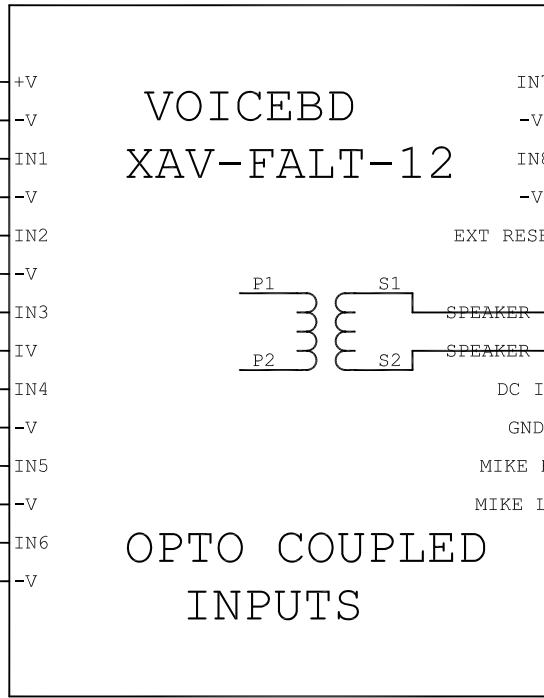
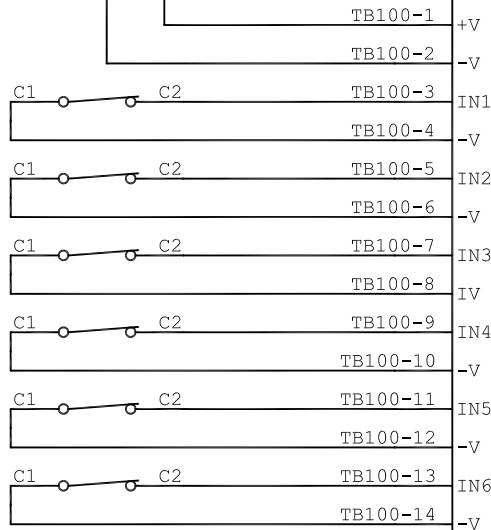
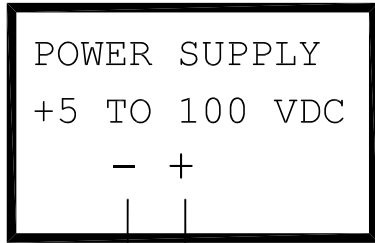
**ALL FUNCTIONALITY IS PROGRAMMABLE. NON  
PROPRIETARY SOFTWARE. SOURCE CODE IS PROVIDED**

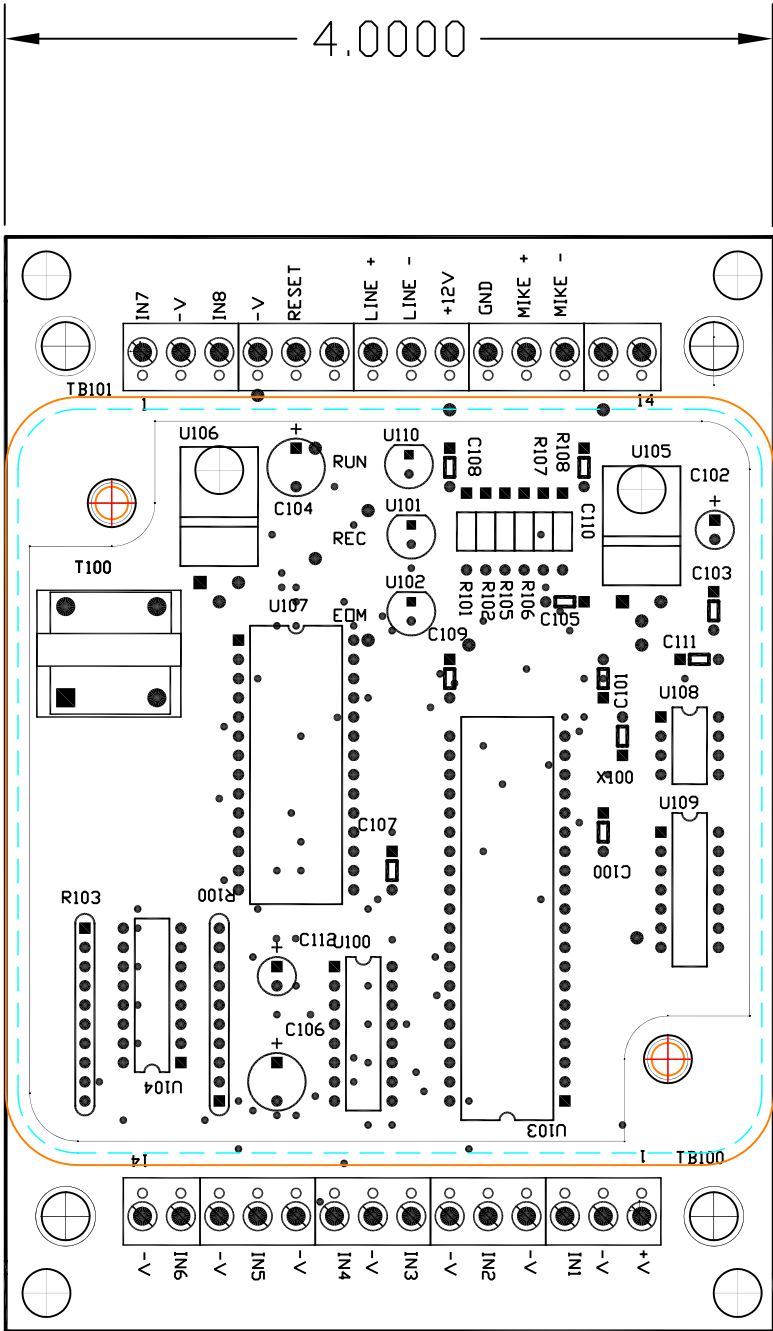
# XAV-FALT-12 Specifications

Voice Storage	1 Minute (3.5Khz BW) 4 Minutes (2Khz BW)
# of Voice Messages	8
# of Alarm Inputs	8
Power	12-48 VDC .1 Amp
Input signal	3V-300 VDC Opto-coupler input
Input isolation	3000 Volts
Audio Output	3.5 Khz Band Width 600 OHM 0 db
Programmable	Microprocessor controlled
Program	Non Proprietary software Stored in Flash EPROM of microprocessor
Watchdog Timer	Included

## **Low Cost fast Alert System FALT-12V**

The FALT-12V is an economical audio alert system for vehicles and fixed locations. From 60 Seconds to 4 minutes of recorded messages are activated by an optically isolated input. The Unit is programmable to play back one or more specific messages per switch contact (up to 8) and various combinations of messages if more than one input is active. These units can be used by Security departments to enunciate alarms or to warn a local area of imminent danger. The unit is programmable so different messages can be outputted based on combinations of active inputs.





4.0000

5.6940